

COMAV

Bag-Emptying Machine Catalogue

Contents	3
Characteristics	4
SVR DEPA	6
SVR COMPACT	8
SVR NT	10
SVR NT Short	12
SVR NT LT	14
SVR EL	16
Accessories	18

BAG EMPTYING MACHINES

SVR CAPACITY

Model	PALLETS / HOUR		BAGS / HOUR	
	GRANULES	POWDER	GRANULES	POWDER
SVR 150 NT			150	N.D.
SVR 300 NT			300	150
SVR 300 NT SHORT			300	75
SVR 600 NT			600	400
SVR 1000 NT			1000	800
SVR 300 EL			300	150
SVR 600 EL			600	400
SVR 1000 EL			1000	800
SVR 600 DEPA			600	400
SVR 600 DEPA ELITE			600	400
SVR 600 DEPA DELUXE	10	6	-	-
SVR 1000 DEPA			1100	800
SVR 1000 DEPA ELITE			1100	800
SVR 1000 DEPA DELUXE	18	9	-	-
SVR 1300 DEPA *			1100	800
SVR 1300 DEPA ELITE *			1100	800
SVR 1300 DEPA DELUXE *	27	14	-	-
SVR COMPACT			750	N.D.
SVR COMPACT ELITE			660	N.D.
SVR COMPACT DELUXE	10,5	N.D.	-	-

BAGS/PALLETS

■ PALLET TYPES



■ BAG TYPES

SIZE: from 5 to 75 Kg
STANDARD SIZE: 25,50 Kg

■ NOTES

With the empty pallet magazine model 1.0, the type of pallet must be confirmed. Thanks to a new technology for empty pallet stacking, model 2.0 handles all types of pallets, up to 1300 X1100 mm size limit.

Plastic



Coated Plastic



Paper



Jute



Raffia



■ PLASTIC / RUBBER

- PP
- PE
- LDPE
- HDPE
- EVA
- PVC
- Talc
- Calcium Carbonare
- Graphite
- Caustic Soda
- ABS
- HPS

■ CHEMICAL PRODUCTS

- Titanium Dioxide
- Ammonium Sulphate
- Rosin
- Caprolactam
- Pesticides
- Pigments
- Silicones
- Phosphates
- Granules
- Soda Products

■ FOOD



Coffee beans



Sugar



Corn



Tea



Coffee powder



Powdered milk



Cloves



Sunflower



Cocoa beans



Cocoa powder



Pet Food



Flour

SVRDEPA

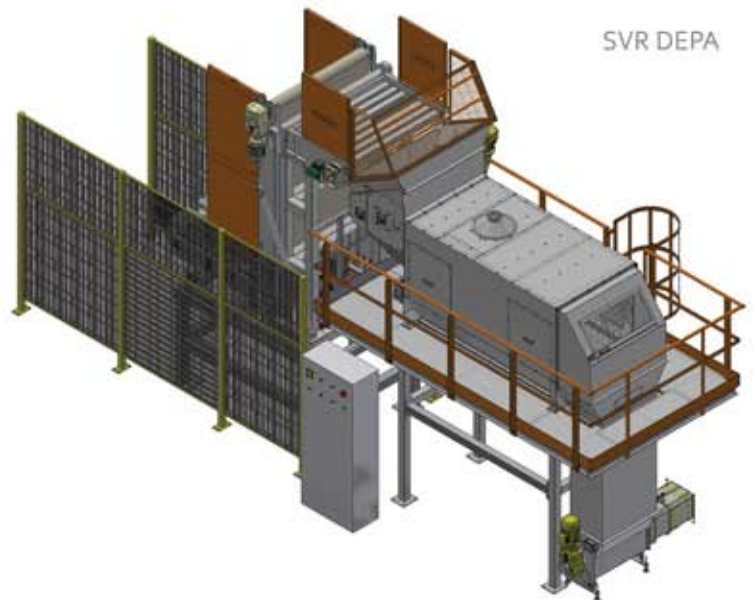
SVR DEPA is the historical bag-emptying machine which has been manufactured by COMAV since 1980 and has obtained considerable appreciation on the market for its extreme reliability and versatility.

This model, capable of handling any type of bag and material with the same efficiency, ensures a safe response to the most varied market demands..

SVR DEPA can be supplied in version with depalletiser only, where full pallet load is carried out with forklift truck or pallet truck, with manual removal of the empty pallet, or can be supplied in more automated versions with empty pallet magazine (stacking of up to 8 empty pallets) and/or full pallet magazine. The most automated version, with full pallet magazine, reduces manual work and ensures high productivity.

PLC-management allows to integrate the whole storage process, possibly by interfacing with a local network.

1300, 1300 Elite and 1300 Deluxe versions are mainly offered for coffee or cocoa bags with oversize pallets, for example 1800x1500 mm



■ APPLICATION

BAGS: any
SIZE: various
PRODUCTS: any

■ PROJECT

EMPTYING FACTOR: : 99.99% for granular materials, 99.97% for powder materials
WORK CYCLE: Automatic
MANAGEMENT: PLC

■ MODELS

SVR DEPA
SVR DEPA ELITE
SVR DEPA DELUXE

■ CHARACTERISTICS

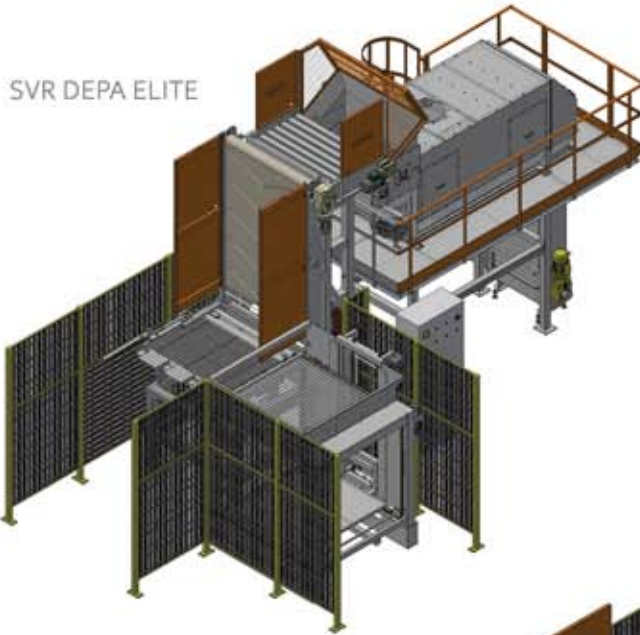
PARTS IN CONTACT WITH THE MATERIAL: Carbon Steel or 304/316L Steel
SUPPORT: Painted iron

■ ACCESSORIES

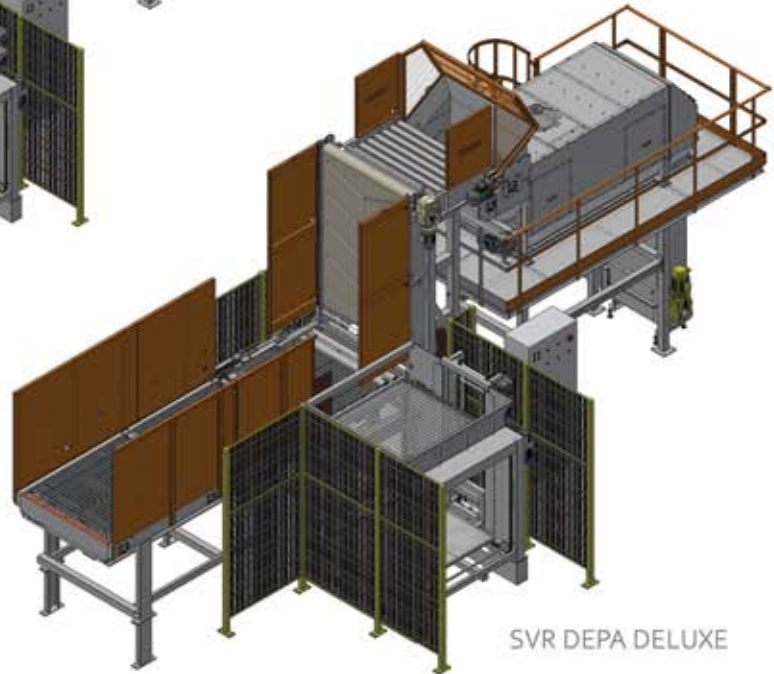
Press for empty bags	Winnower
Hydraulic Press	Sieve
Pneumatic Conveyor	Profinet Module
Rotary Valve	Profibus Module
Filter	High Temperature Kit

■ COMPLIANCE





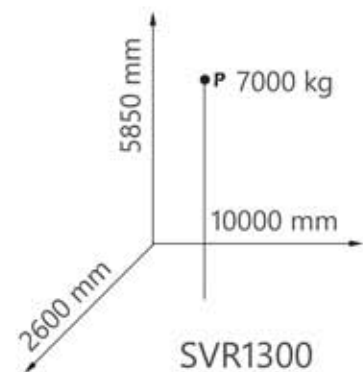
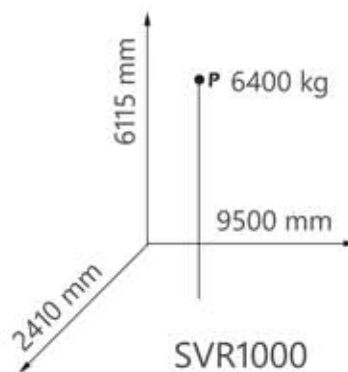
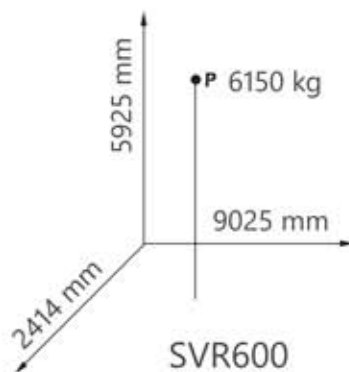
SVR DEPA ELITE



SVR DEPA DELUXE

■ **DIMENSIONS AND WEIGHT****

Referred to SVR DEPA model with CP, for other versions please contact COMAV
 ** the values are to be considered indicative and subject to changes depending on the type of project



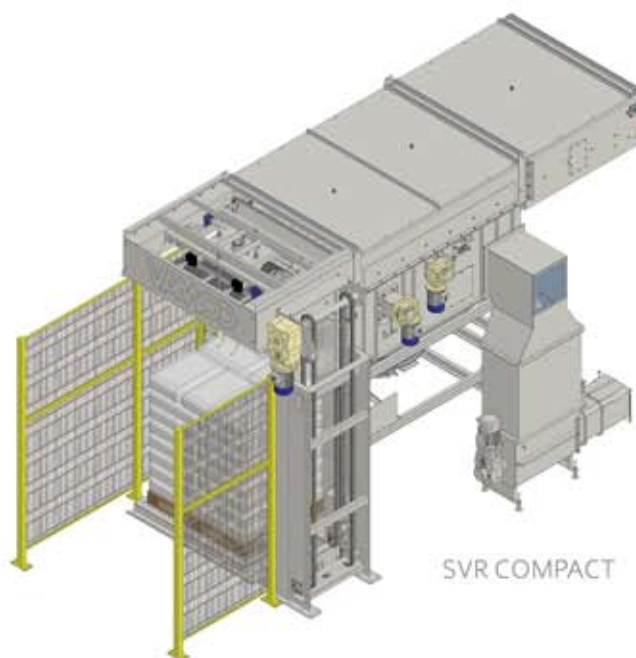
SVR COMPACT

The automatic bag-emptying machine SVR Compact, patented by COMAV, meets the needs of plastic industry with a compact and clean solution for granular product emptying.

The special needle gripper allows a slight lifting of the bag, without forcing the bag surface and damaging it.

It is inverter managed and allows setting the cutting blades and the beaters, according to the type of bag, improving emptying.

The high level of safety of SVR Compact model makes it the ideal partner for companies looking for a highly automated bag-emptying machine, with interface levels among the most sophisticated currently available on the market.



■ APPLICATION

BAGS: plastic, coated paper
SIZE: 25 Kg
PRODUCTS: plastic granules

■ PROJECT

EMPTYING FACTOR: : 99.99% for plastic granules
WORK CYCLE: Automatic
MANAGEMENT: PLC

■ MODELS

SVR COMPACT
SVR COMPACT ELITE
SVR COMPACT DELUXE

■ CHARACTERISTICS

PARTS IN CONTACT WITH THE MATERIAL: Carbon Steel or 304/316L Steel
SUPPORT: Painted iron

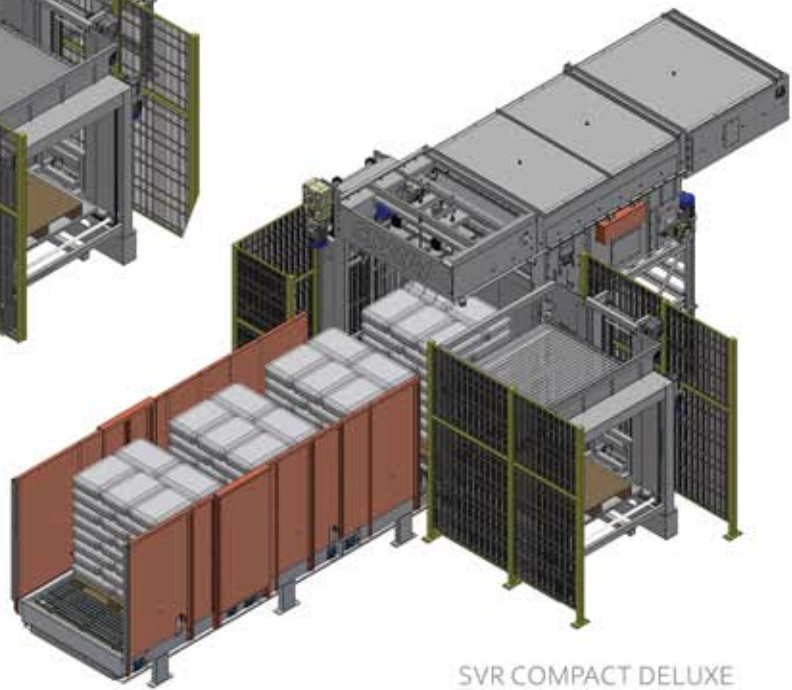
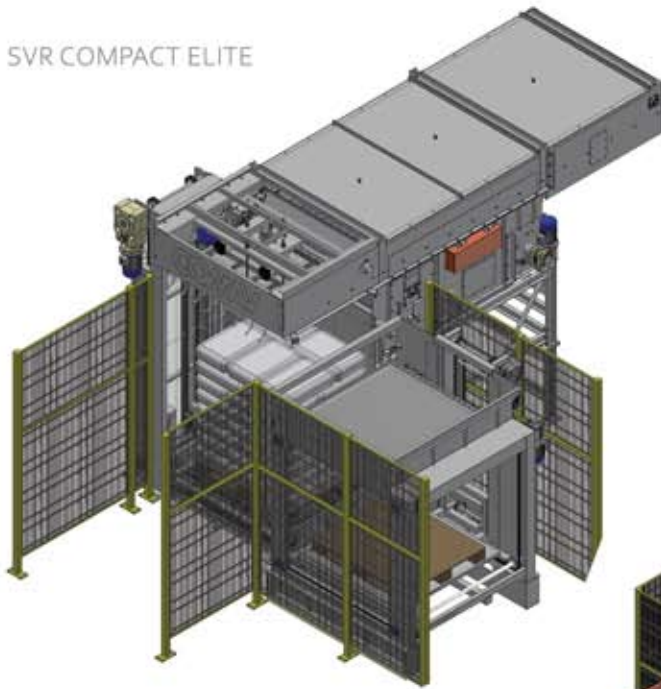
■ ACCESSORIES

Press for empty bags	Winnower
Hydraulic Press	High Temperature Kit
Pneumatic Conveyor	Profinet Module
Rotary Valve	Profibus Module

■ COMPLIANCE



SVR COMPACT ELITE

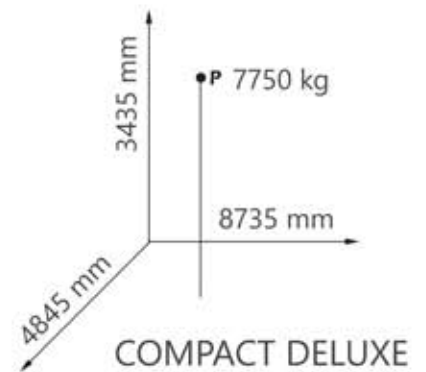
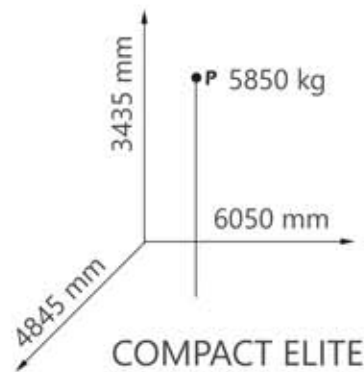
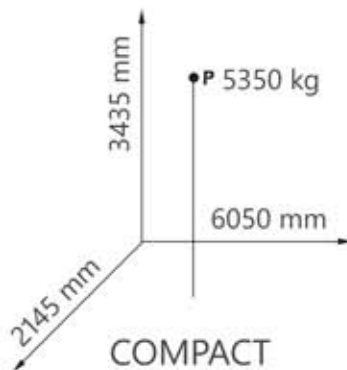


SVR COMPACT DELUXE

■ **DIMENSIONS AND WEIGHT****

Referred to SVR COMPACT model with CP, for other versions please contact COMAV

** the values are to be considered indicative and subject to changes depending on the type of project



SVR_{NT}

SVR NT is a bag-emptying machine with belt feeding and manual and/or automatic load, suitable to empty bags with powder and granular products.

With a cutting section configured by the bag/product factor and a rotary drum, the separation is carried out with the product conveyed in the collection hopper, which then is pneumatically or mechanically conveyed.

The empty bag is compacted with a screw feeder or hydraulic press.

The NT model is available in ATEX and EC1935/2004 versions, as well as special versions according to the type of project.



■ APPLICATION

BAGS: any
SIZE: 25,50 Kg
PRODUCTS: any

■ PROJECT

EMPTYING FACTOR: : 99.99% for granular materials, 99.97% for powder materials
WORK CYCLE: Semi-Automatic
MANAGEMENT: Electromechanical Panel

■ MODELS

SVR150
SVR300
SVR600
SVR1000

■ CHARACTERISTICS

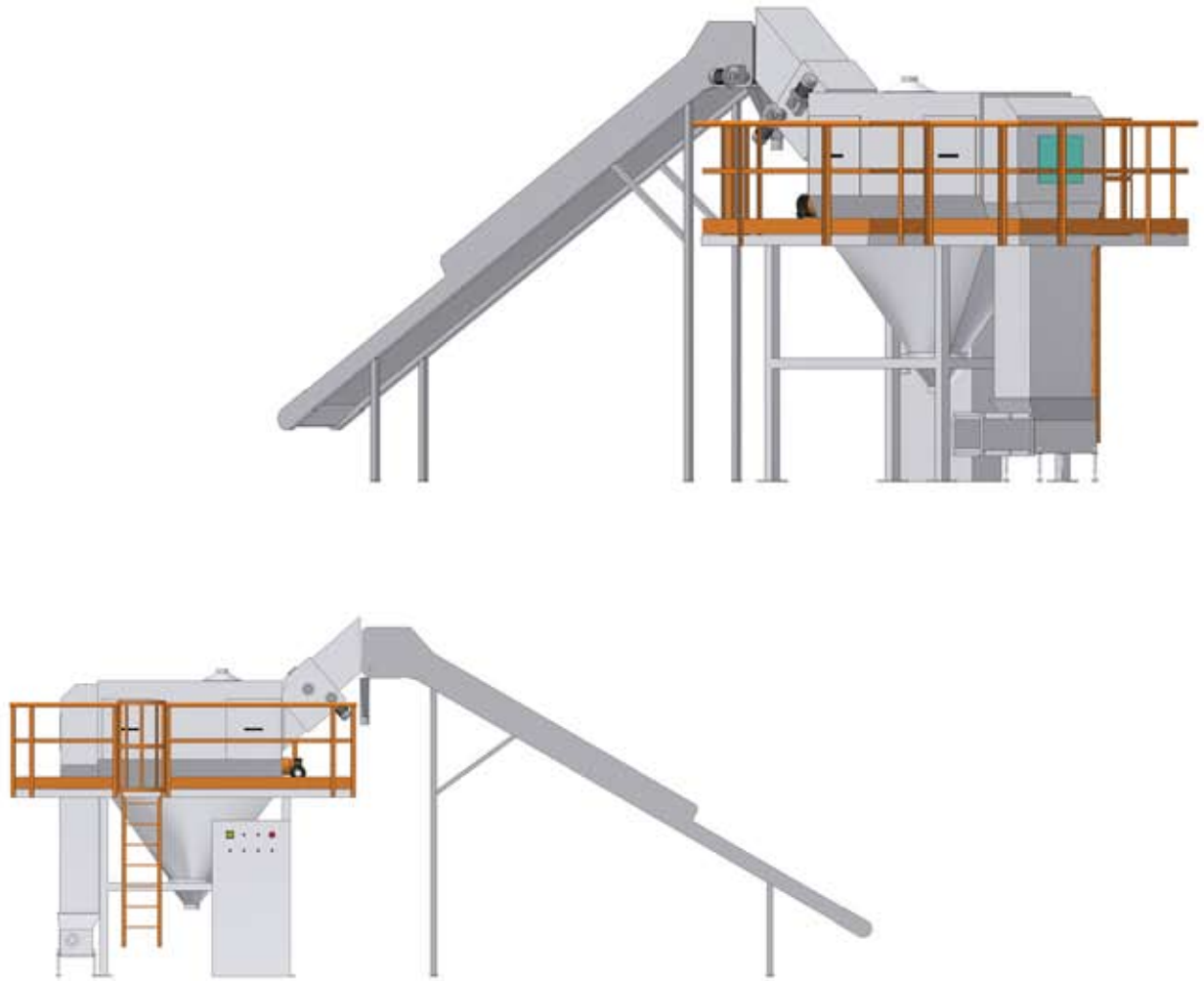
PARTS IN CONTACT WITH THE MATERIAL: Carbon Steel or 304/316L Steel
SUPPORT: Painted iron

■ ACCESSORIES

Press for empty bags	Bag Cleaner
Hydraulic Press	PLC
Pneumatic Conveyor	Winnower
Rotary Valve	Sieve
Filter	Profinet / Profibus

■ COMPLIANCE

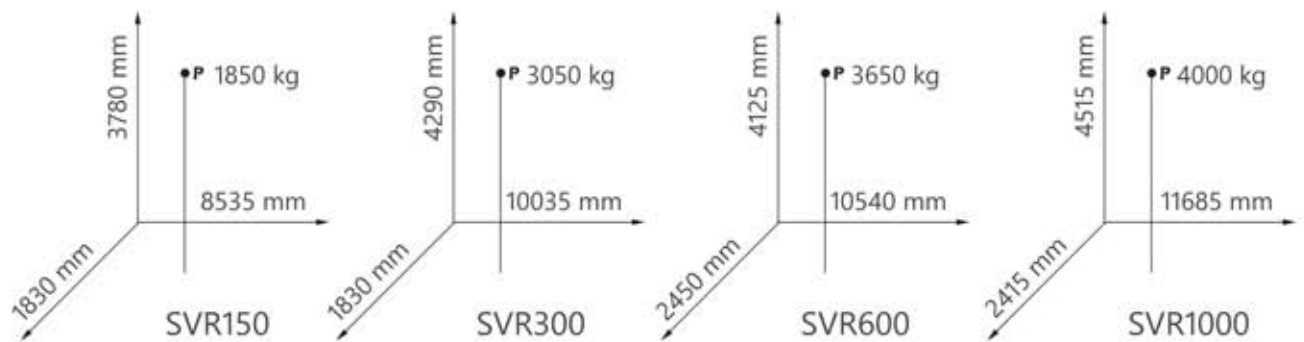




■ **DIMENSIONS AND WEIGHT****

Referred to SVR NT model with CP, for other versions please contact COMAV

** the values are to be considered indicative and subject to changes depending on the type of project



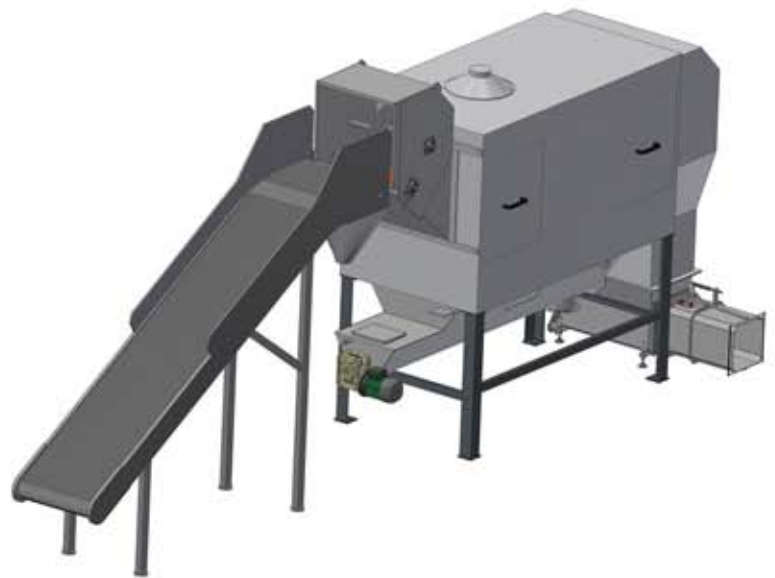
SVRNT SHORT

SVR NT Short has been designed for applications in environments with little height available, still ensuring high emptying performance.

A screw feeder integrated in the hopper conveys the material to the discharge, significantly reducing the machine height.

The possible total opening of the hopper ensures a thorough cleaning in case of product changeover.

Also in this version, as in the other SVR NT versions, the feeding belt is designed depending on the available space and the product type.



■ APPLICATION

BAGS: any
SIZE: 25,50 Kg
PRODUCTS: any

■ PROJECT

EMPTYING FACTOR: : 99.99% for granular materials, 99.97% for powder materials
WORK CYCLE: Semi-Automatic
MANAGEMENT: Electromechanical Panel

■ MODELS

SVR150
SVR300

■ CHARACTERISTICS

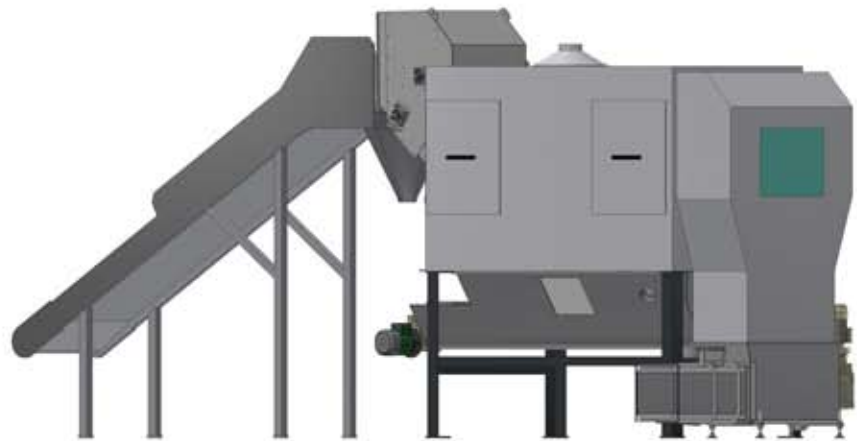
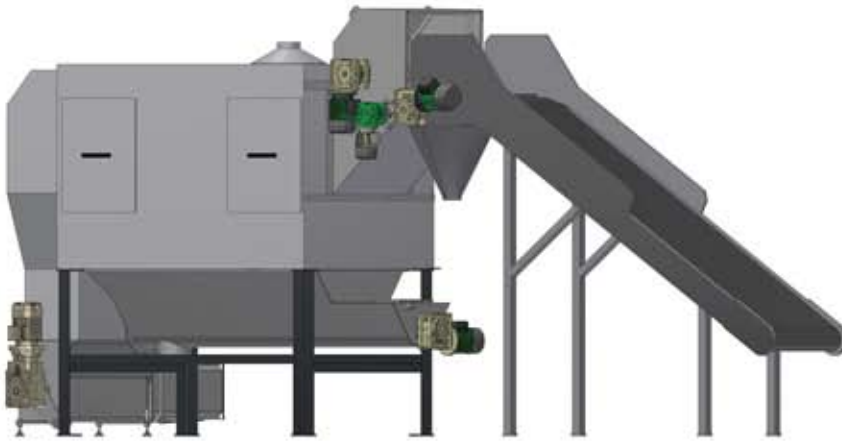
PARTS IN CONTACT WITH THE MATERIAL: Carbon Steel or 304/316L Steel
SUPPORT: Painted iron

■ ACCESSORIES

Hydraulic Press	High Temperature Kit
Pneumatic Conveyor	PLC
Rotary Valve	Winnower
Filter	Profinet / Profibus

■ COMPLIANCE

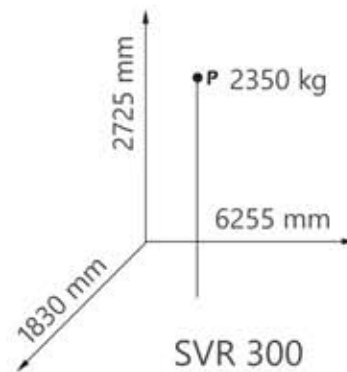
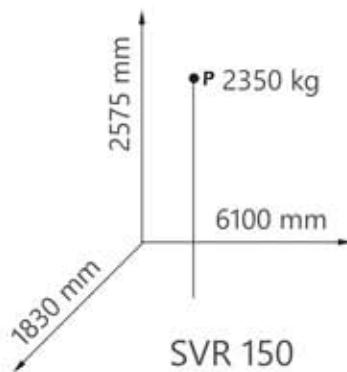




■ **DIMENSIONS AND WEIGHT****

Referred to SVR NT SHORT model with CP, for other versions please contact COMAV

** the values are to be considered indicative and subject to changes depending on the type of project



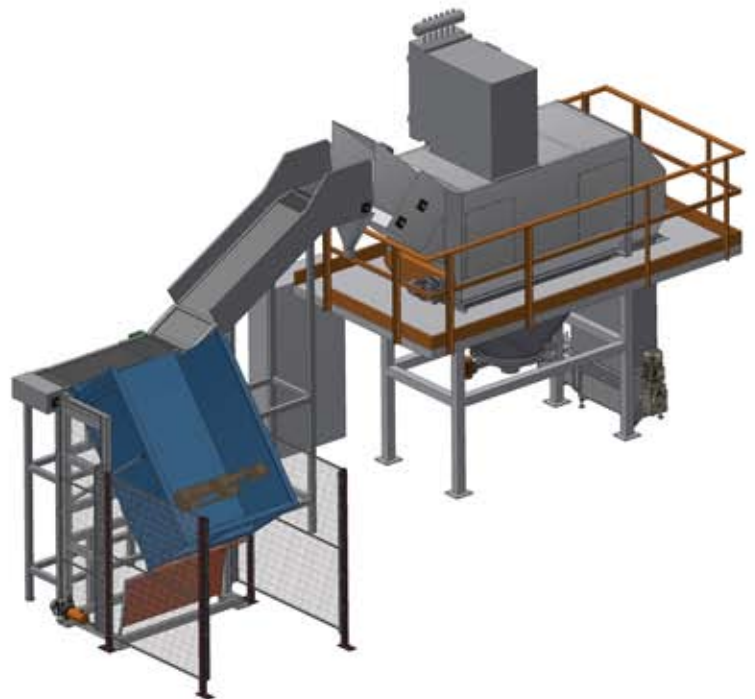
SVRNTLT

COMAV has developed a bag emptying machine with a hybrid pallet loading concept, particularly appreciated in the agricultural-food industry, which seeks a compromise between automatic loading and the possibility to handle many types of bags.

With the aid of a service platform, the operator places and aligns the bags on the conveyor belt, which automatically conveys them to the cutting area.

The pallet is lifted and tilted using a push-button panel fixed in the platform.

The rotary drum, as in SVR DEPA and SVR NT models, separates the product from the bag so that the bag can be subsequently compacted.



■ APPLICATION

BAGS: any
SIZE: 25,50 Kg
PRODUCTS: any

■ PROJECT

EMPTYING FACTOR: : 99.99% for granular materials, 99.97% for powder materials
WORK CYCLE: Semi-Automatic
MANAGEMENT: Electromechanical Panel

■ MODELS

SVR300
SVR600

■ CHARACTERISTICS

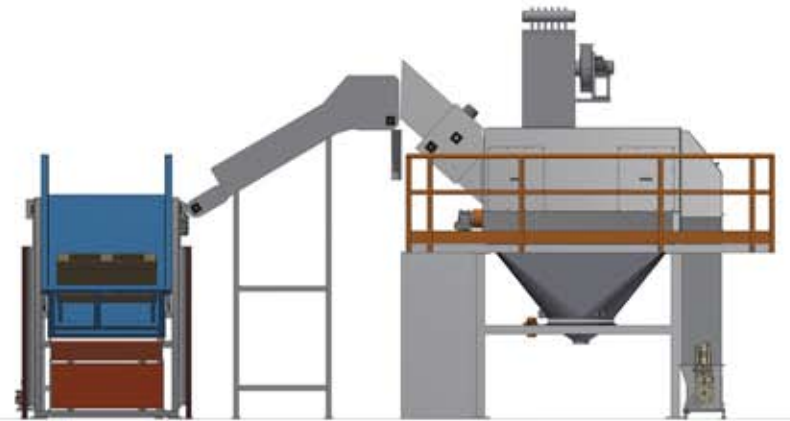
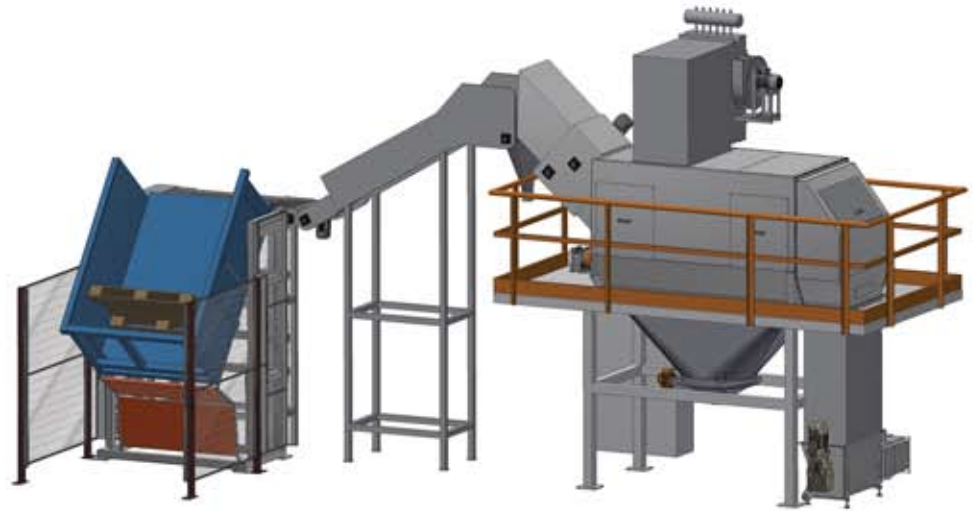
PARTS IN CONTACT WITH THE MATERIAL: Carbon Steel or 304/316L Steel
SUPPORT: Painted iron

■ ACCESSORIES

Press for empty bags	High Temperature Kit
Hydraulic Press	PLC
Pneumatic Conveyor	Winnower
Rotary Valve	Sieve
Filter	Profinet / Profibus

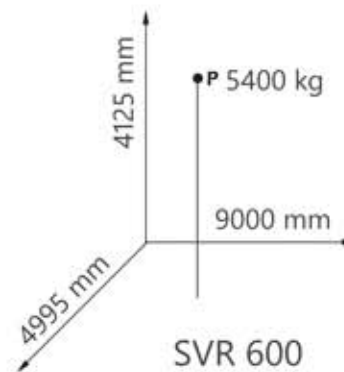
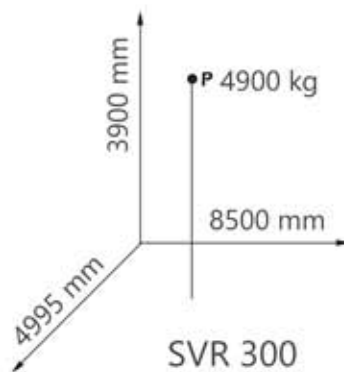
■ COMPLIANCE





■ **DIMENSIONS AND WEIGHT****

Referred to SVR NT LT model with CP, for other versions please contact COMAV
 ** the values are to be considered indicative and subject to changes depending on the type of project



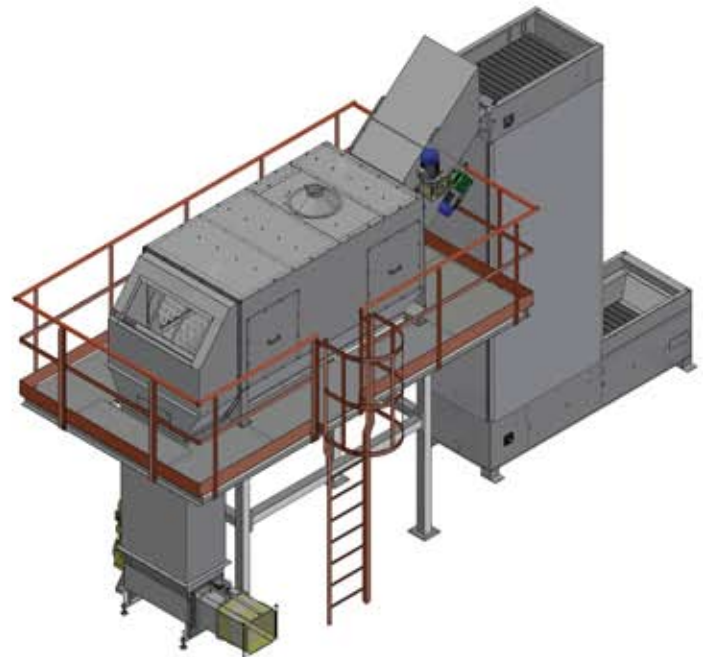
SVREL

The bag emptying concept of SVR EL model remains unchanged compared to SVR DEPA and SVR NT models, with the exception of a lifter feeding the cutting section.

Thanks to this innovative solution, it is possible to position the machine body on a different level from the loading level.

A typical application is the direct discharge to a mixer or tank, avoiding, among other things, contamination resulting from the installation of several mechanical components.

When manual loading is required but the space to install a conveyor belt is insufficient, the technology with elevator reduces the overall dimensions.



■ APPLICATION

BAGS: any
SIZE: 25,50 Kg
PRODUCTS: any

■ PROJECT

EMPTYING FACTOR: : 99.99% for granular materials, 99.97% for powder materials
WORK CYCLE: Semi-Automatic
MANAGEMENT: Electromechanical Panel

■ MODELS

SVR150
SVR300
SVR600
SVR1000

■ CHARACTERISTICS

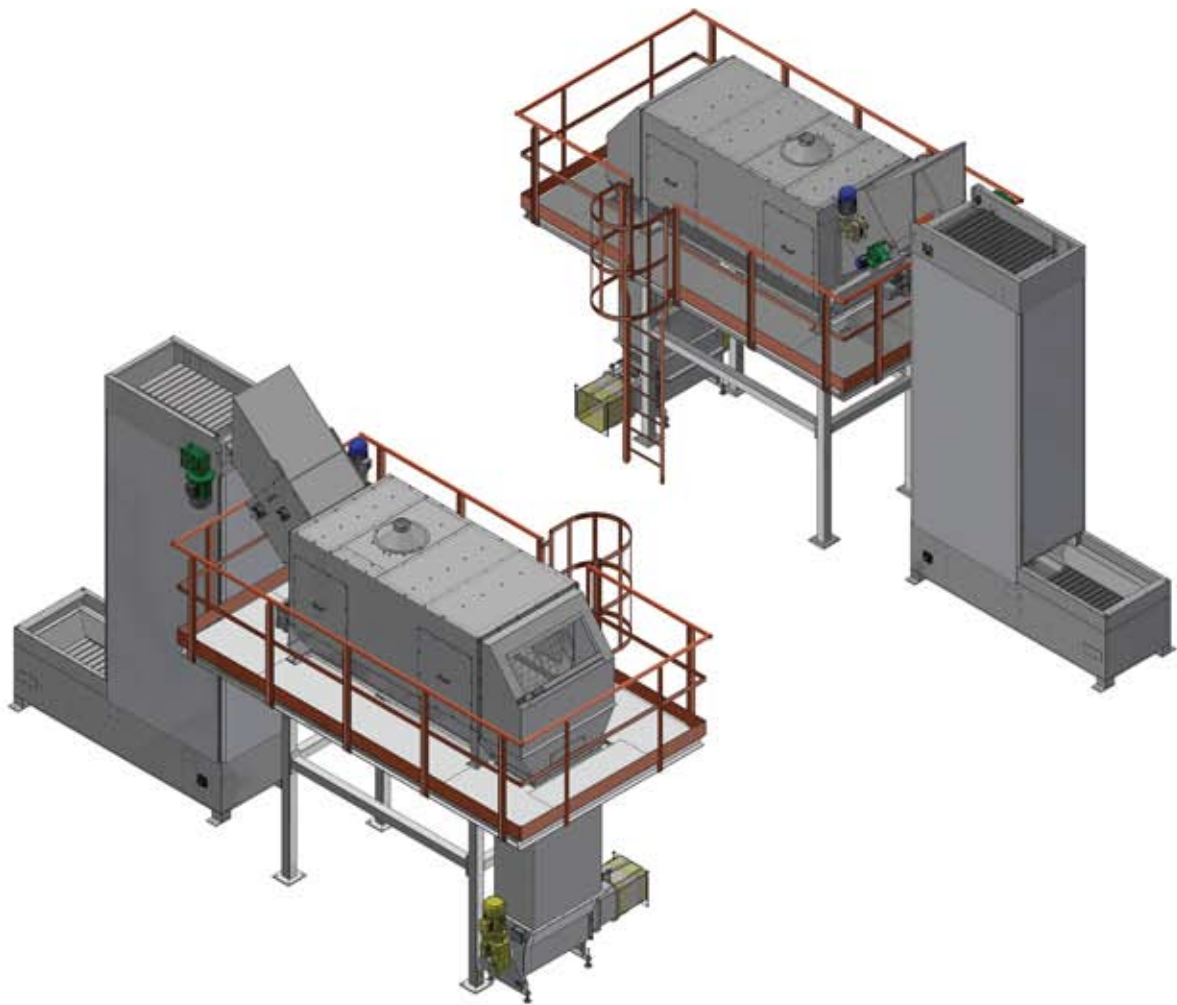
PARTS IN CONTACT WITH THE MATERIAL: Carbon Steel or 304/316L Steel
SUPPORT: Painted iron

■ ACCESSORIES

Press for empty bags	PLC
Hydraulic Press	Winnower
Pneumatic Conveyor	Sieve
Rotary Valve	Profinet Module
Filter	Profibus Module

■ COMPLIANCE





■ DIMENSIONS AND WEIGHT**

Dimensions are not available, as this is a fully customised machine depending on the project.

For more information, please contact COMAV

ACCESSORIES

Empty pallet magazine

Used to halve the loading time of the SVR: it handles up to 8 empty pallets to comply with the safety directives. Using a forklift truck, it is possible to remove the empty pallet stack.



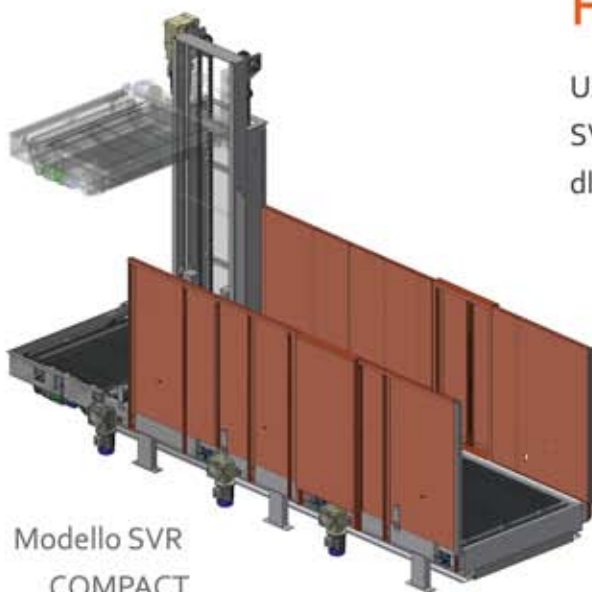
Model 1.0



Model 2.0

Full pallet magazine

Used to increase the loading automation of the SVR. The number of full pallets automatically handled varies according to the needs.



Modello SVR
COMPACT



Modello SVR DEPA

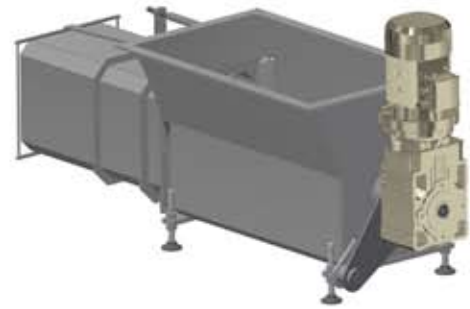
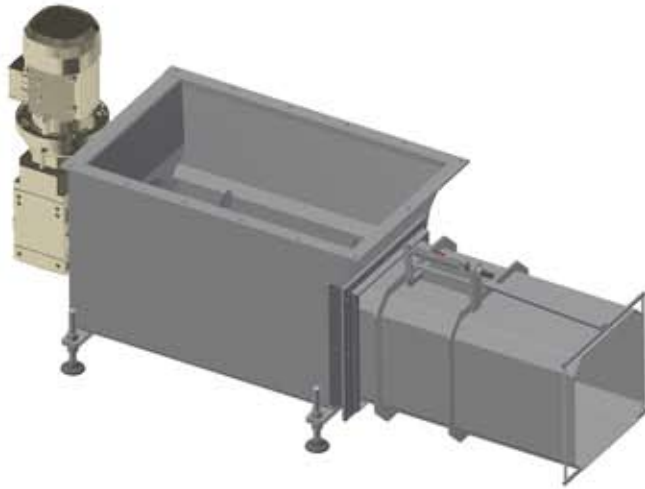
Motor

The bag-emptying machine can be supplied with motors for temperatures up to 45°C



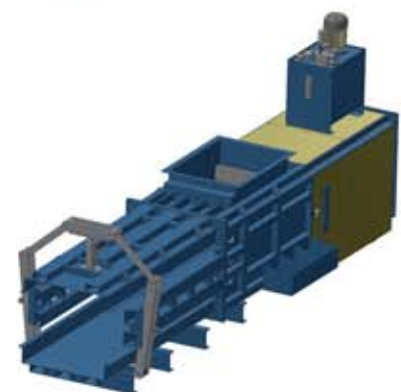
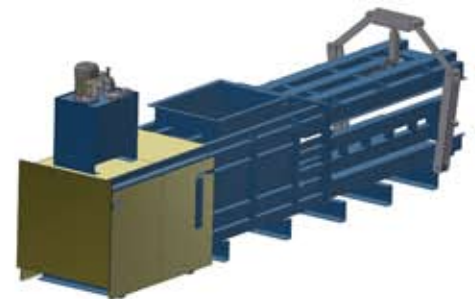
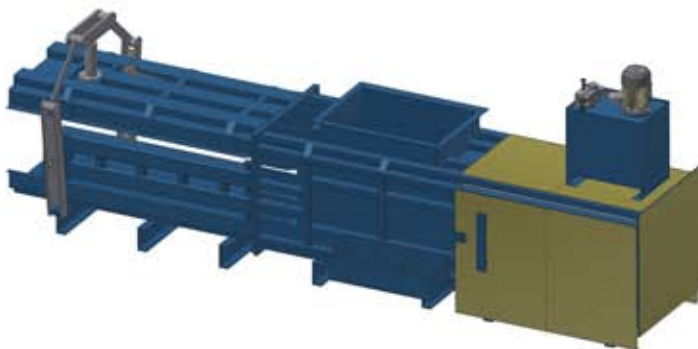
CP Press

Suitable to collect the emptied bags in a plastic tube. Up to 60 empty bags per metre can be collected.



Hydraulic Press

It forms bales whose dimensions are preset by the user according to a compression factor of 800 / 1000 empty bags per metre.



ACCESSORIES

Lifting Table



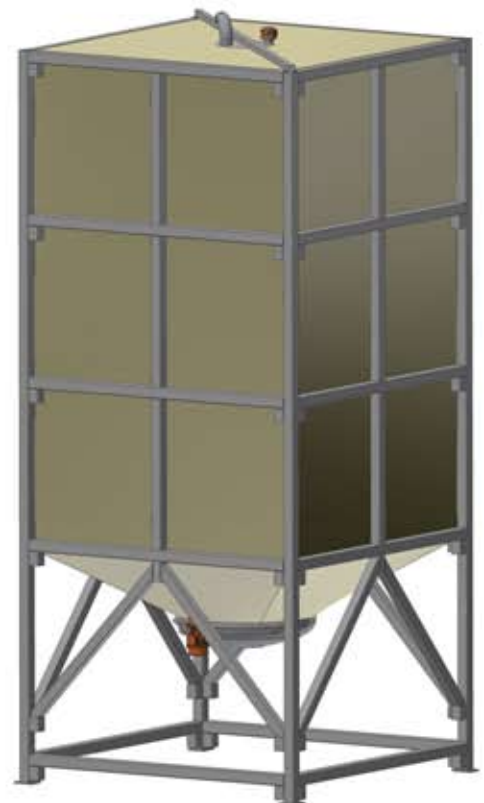
Bag Cleaner



Pneumatic Conveyor



Eurosack



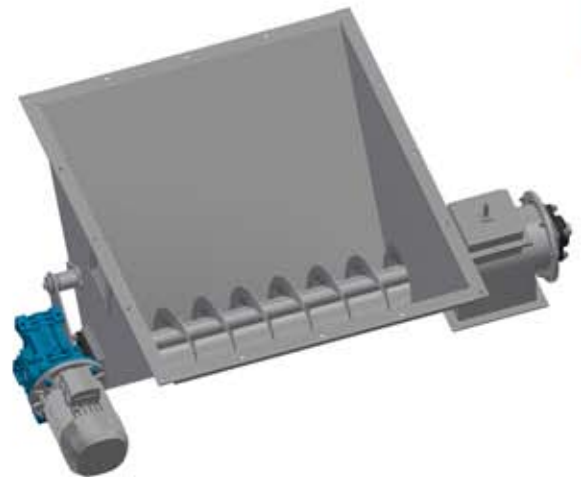
Pneumatic conveyor and load to Silos integrated handling



Compressor



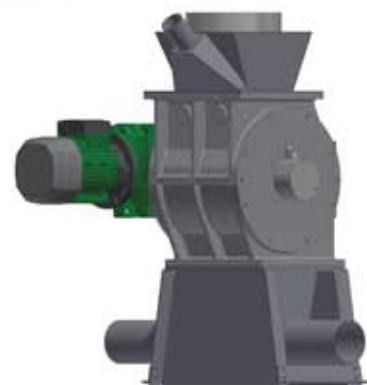
Hopper screw feeder



Rotary valve DTS/DTP



Rotary valve VSD



Quick cleaning rotary valve



COMAV

Your Partner in Bulk Material since 1980

COMAV Srl

Via Statale, 337

44047 - Dosso (FE) - Italy

phone: +39 0532 848348

email: info@comav-srl.com

web: www.comav-srl.com

COMAV

www.comav-srl.com